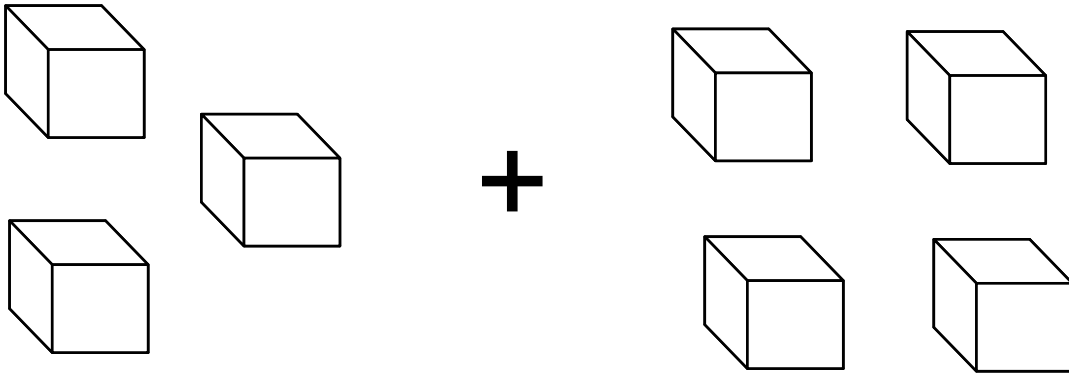


# Math Booklet: Adding

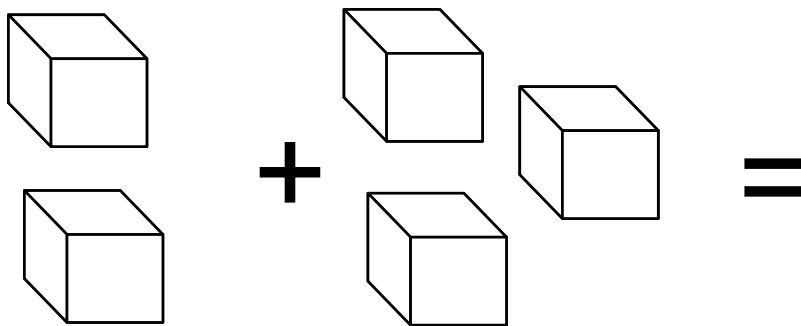


Name \_\_\_\_\_

Date \_\_\_\_\_

©2004 abcteach.com

Add the blocks and record your answer.



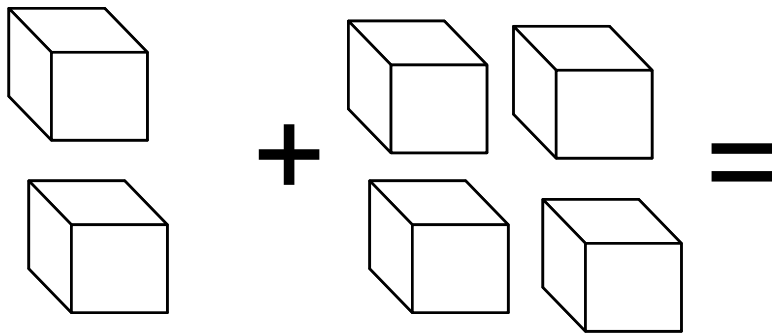
\_\_\_\_\_   
 Draw blocks.

$$2 + 3 =$$

\_\_\_\_\_

©2004 abcteach.com

Add the blocks and record your answer.



---

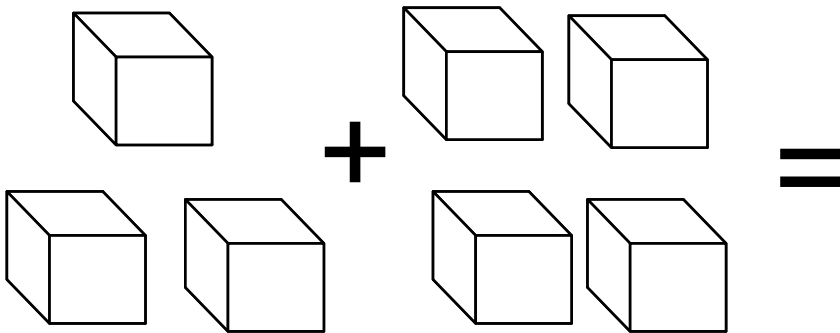
Draw blocks.

$$2 + 4 =$$

---

©2004 abcteach.com

Add the blocks and record your answer.



---

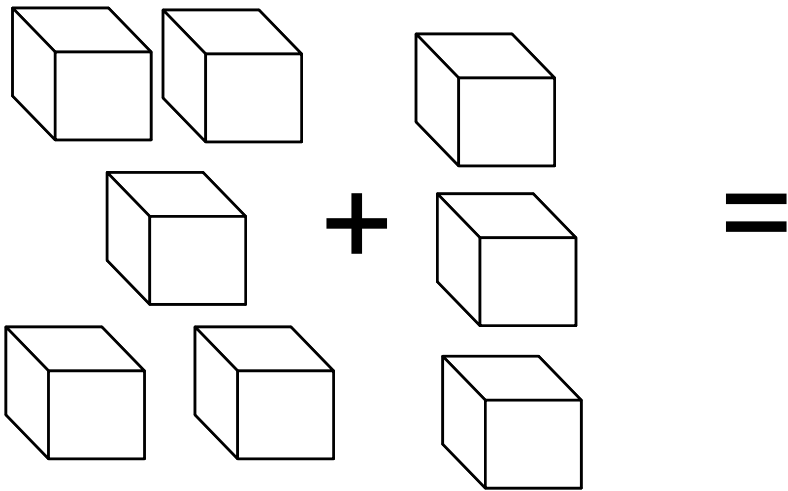
Draw blocks.

$$3 + 4 =$$

---

©2004 abcteach.com

Add the blocks and record your answer.



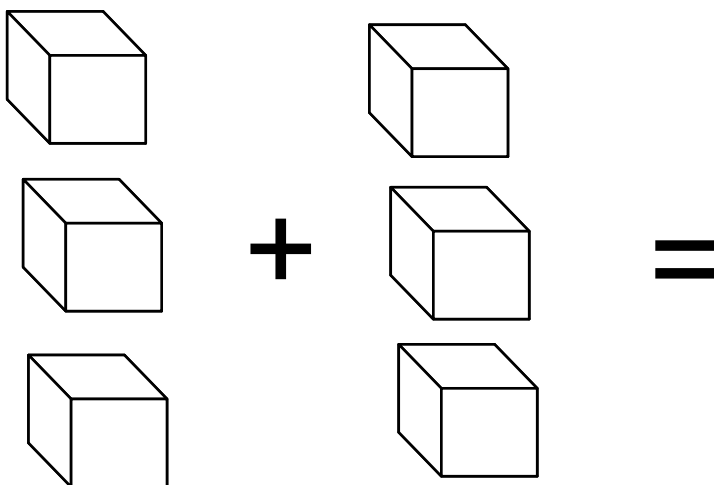
$$5 + 3 =$$

---

Draw blocks.

©2004 abcteach.com

Add the blocks and record your answer.



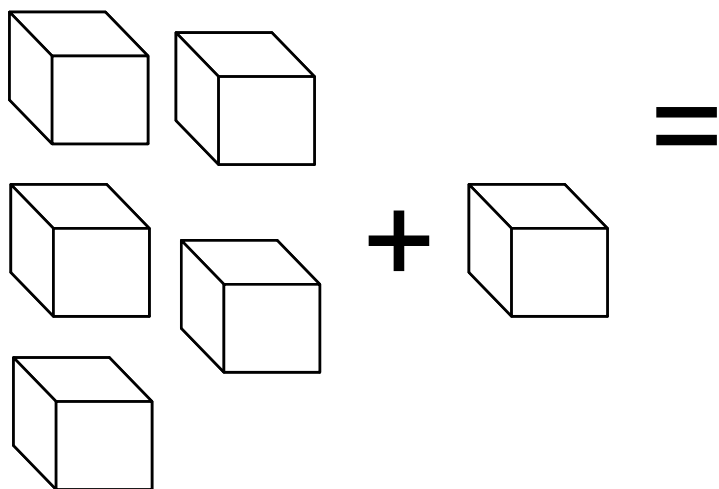
$$3 + 3 =$$

---

Draw blocks.

©2004 abcteach.com

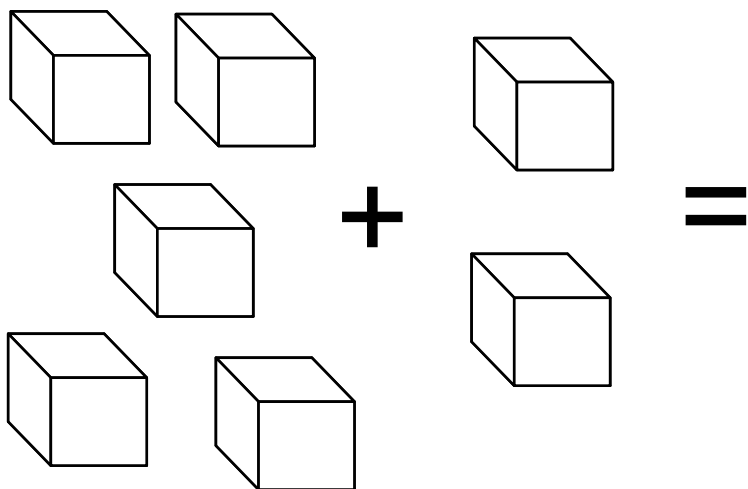
Add the blocks and record your answer.



Draw blocks.

$$5 + 1 =$$

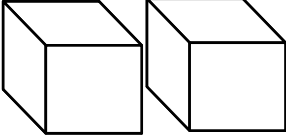
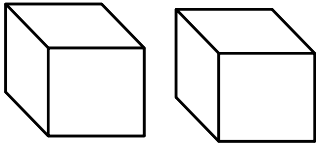
Add the blocks and record your answer.

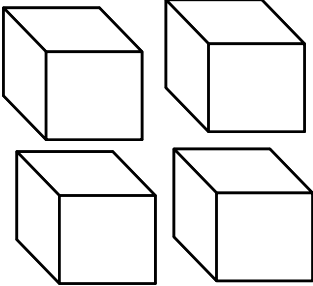
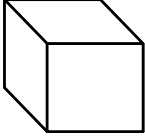


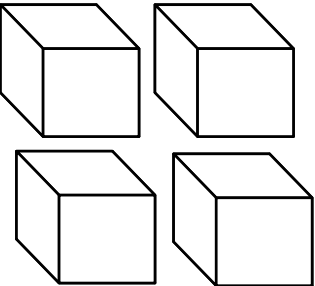
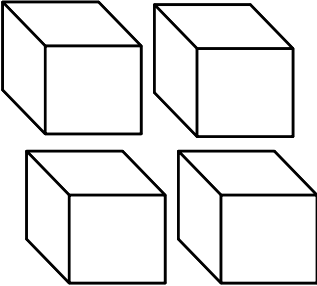
Draw blocks.

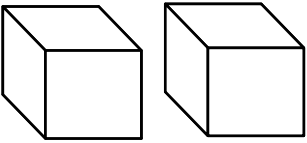
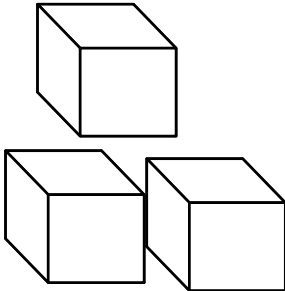
$$5 + 2 =$$

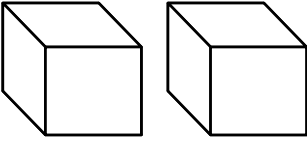
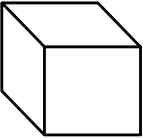
Name \_\_\_\_\_ Date \_\_\_\_\_

1.  +  = \_\_\_\_\_

2.  +  = \_\_\_\_\_

3.  +  = \_\_\_\_\_

4.  +  = \_\_\_\_\_

5.  +  = \_\_\_\_\_  
