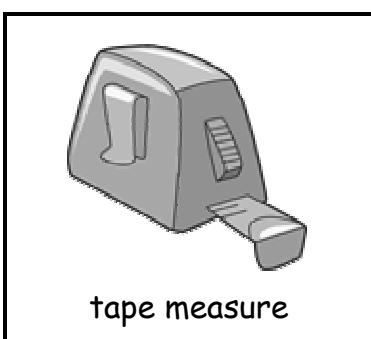
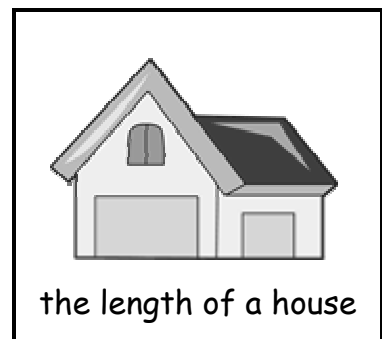
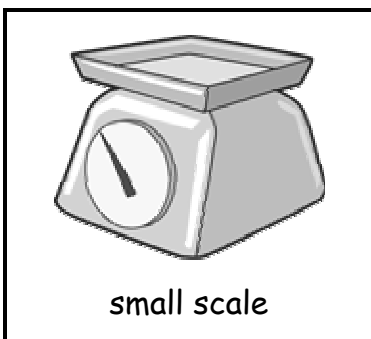
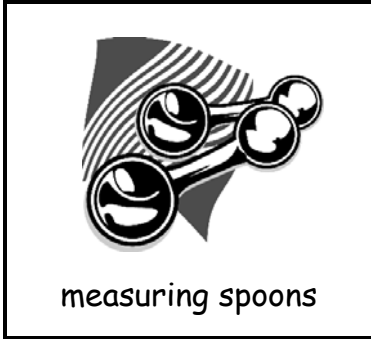


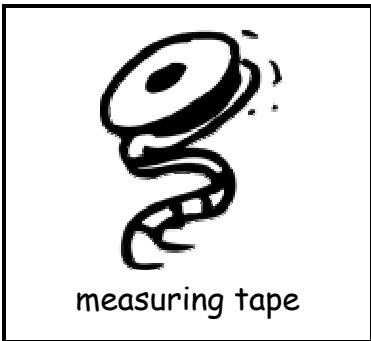
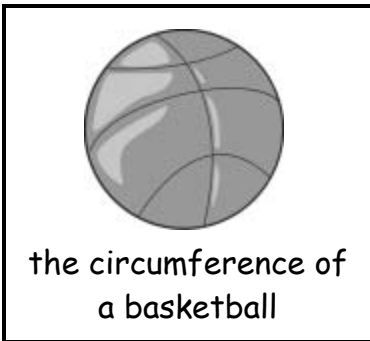
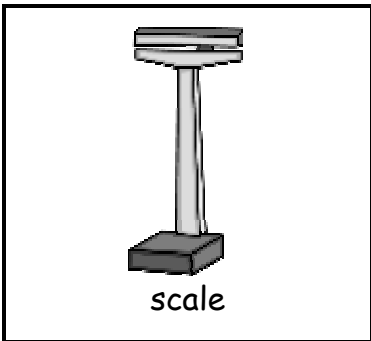
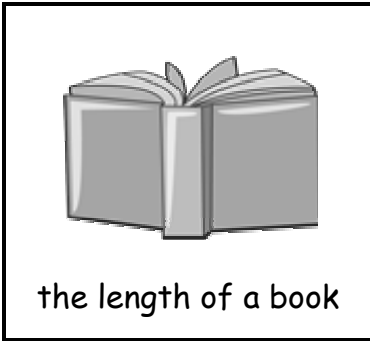
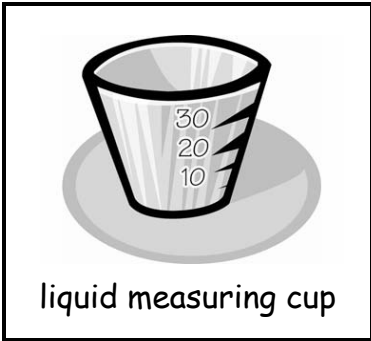
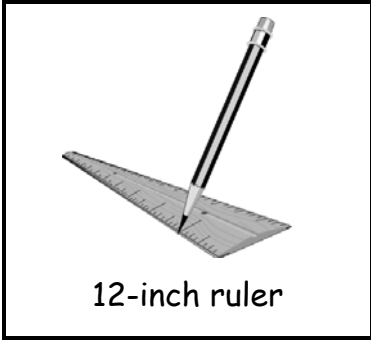
Name _____ Date _____

How Do You Measure...

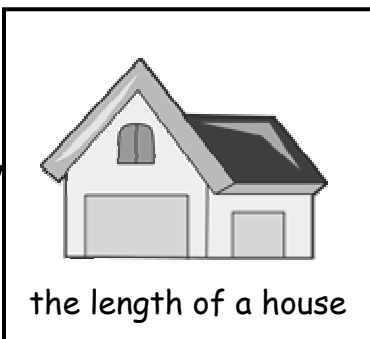
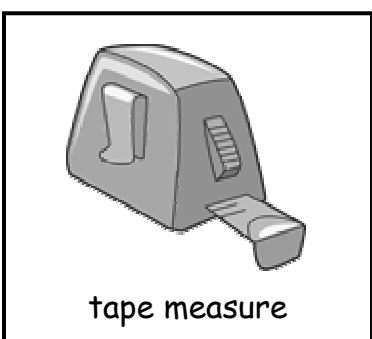
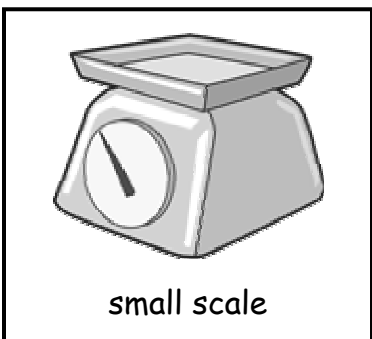
Match the correct measuring tool with the item that needs to be measured.



Name _____ Date _____



Answer Key: How Do You Measure...



Name _____ Date _____

