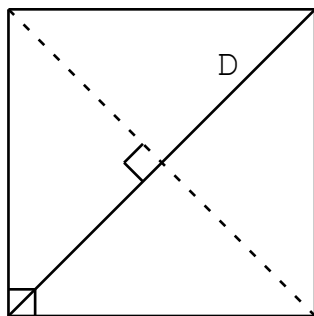
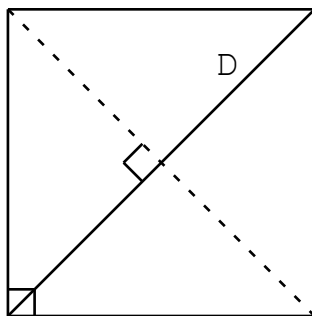


Name _____ Date _____

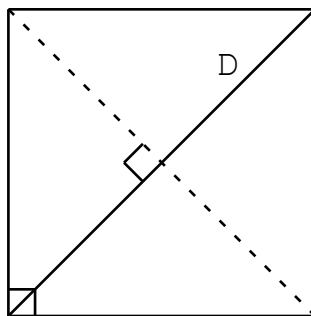
Calculate the Perimeter



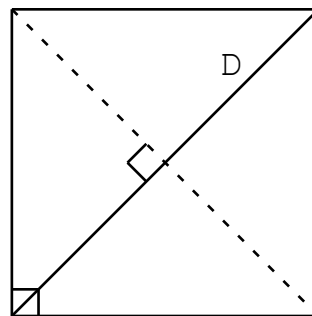
$D = 7 \text{ m}$



$D = 10 \text{ in}$



$D = 1 \text{ in}$



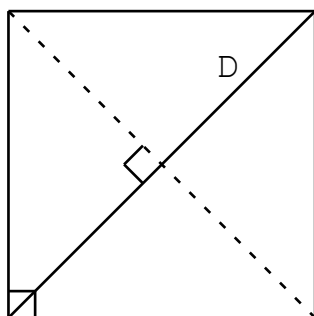
$D = 3 \text{ ft}$

P = _____

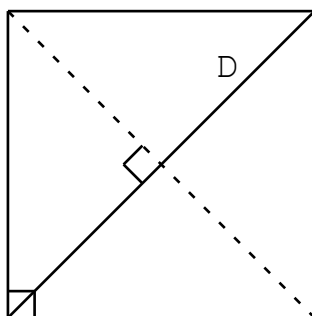
P = _____

P = _____

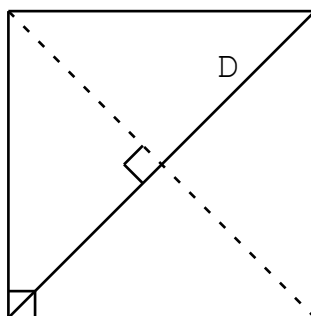
P = _____



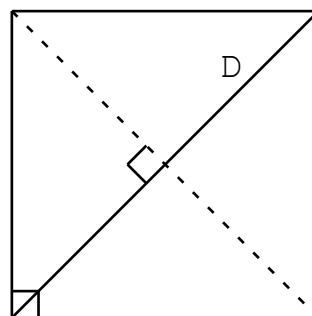
$D = 6 \text{ ft}$



$D = 8 \text{ m}$



$D = 4 \text{ cm}$



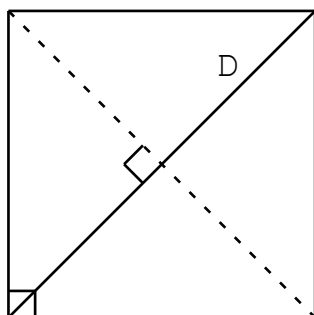
$D = 9 \text{ m}$

P = _____

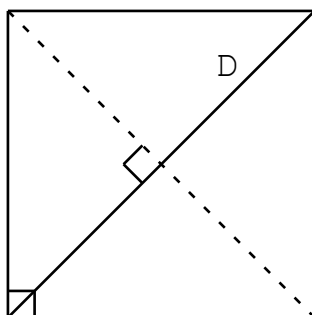
P = _____

P = _____

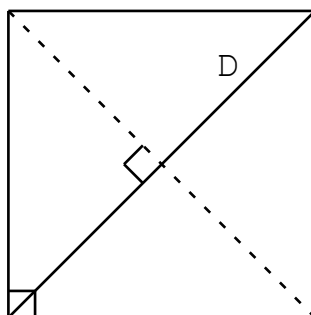
P = _____



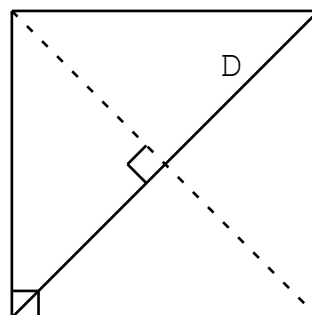
$D = 5 \text{ ft}$



$D = 2 \text{ m}$



$D = 10 \text{ m}$



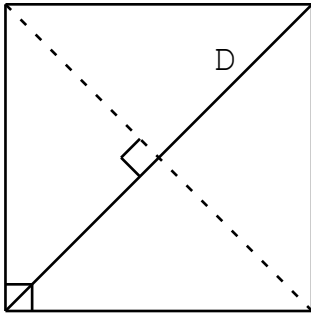
$D = 9 \text{ m}$

P = _____

P = _____

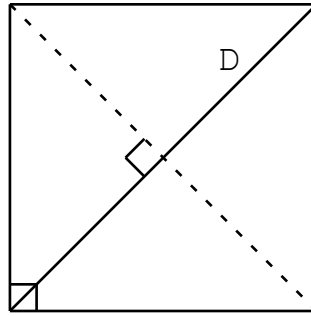
P = _____

P = _____



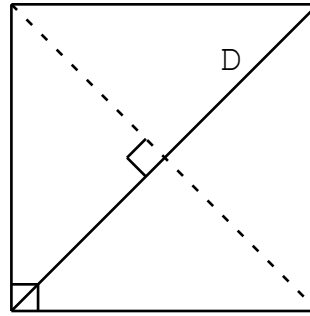
$D = 10 \text{ in}$

$P = \underline{28.28 \text{ in}}$



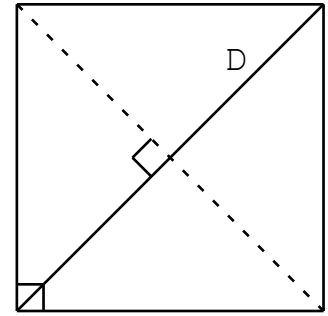
$D = 1 \text{ in}$

$P = \underline{2.83 \text{ in}}$



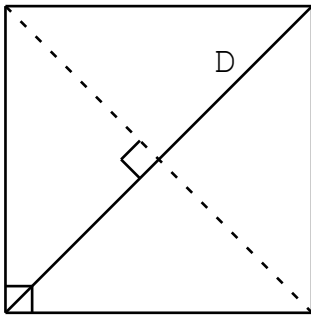
$D = 3 \text{ ft}$

$P = \underline{8.49 \text{ ft}}$



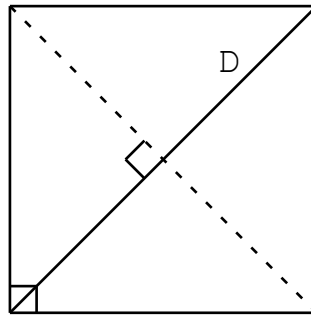
$D = 6 \text{ ft}$

$P = \underline{16.97 \text{ ft}}$



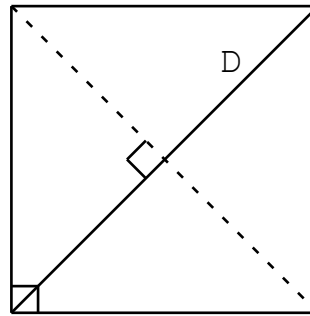
$D = 8 \text{ m}$

$P = \underline{22.63 \text{ m}}$



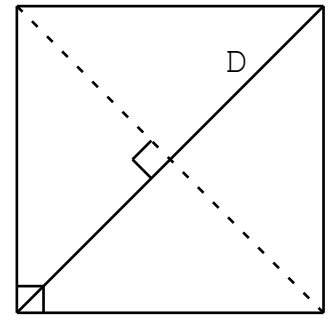
$D = 4 \text{ cm}$

$P = \underline{11.31 \text{ cm}}$



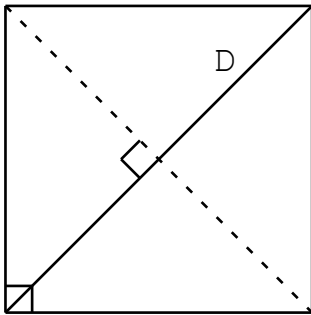
$D = 9 \text{ m}$

$P = \underline{25.46 \text{ m}}$



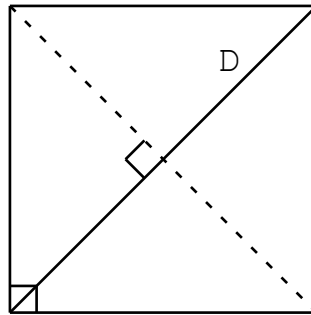
$D = 5 \text{ ft}$

$P = \underline{14.14 \text{ ft}}$



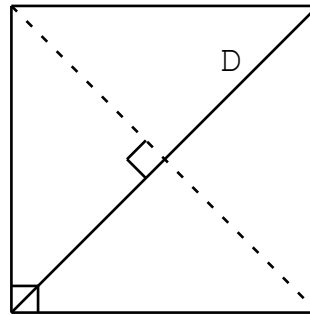
$D = 2 \text{ m}$

$P = \underline{5.66 \text{ m}}$



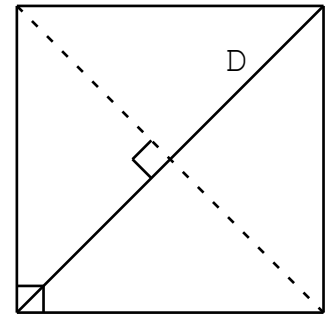
$D = 10 \text{ m}$

$P = \underline{28.28 \text{ m}}$



$D = 9 \text{ m}$

$P = \underline{25.46 \text{ m}}$



$D = 6 \text{ in}$

$P = \underline{16.97 \text{ in}}$