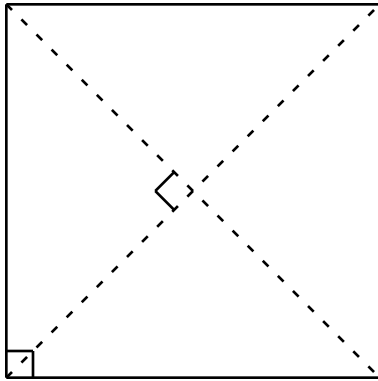


Name: _____ Date: _____

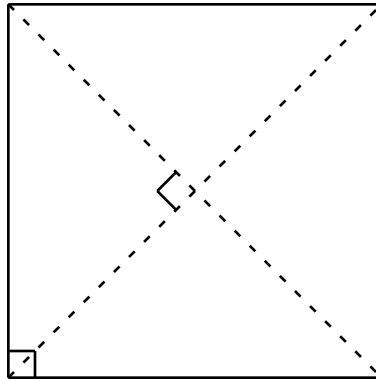
Calculate Area Practice - #1

Calculate the area.



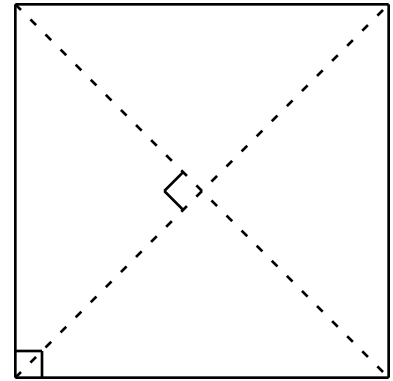
width = 5 cm

Area = _____



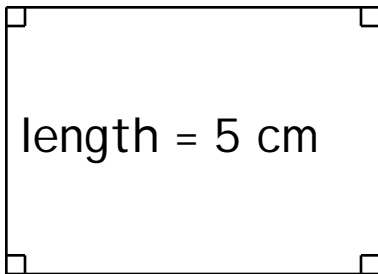
width = 1 m

Area = _____



width = 3 in

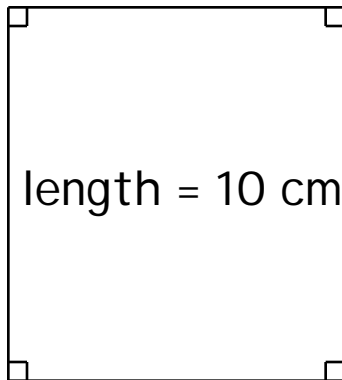
Area = _____



length = 5 cm

width = 7 cm

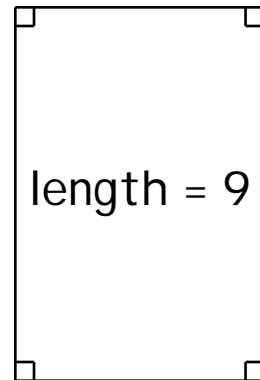
Area = _____



length = 10 cm

width = 9 cm

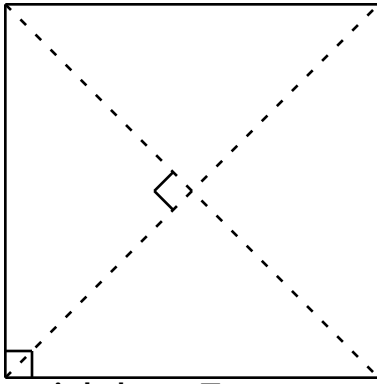
Area = _____



length = 9 m

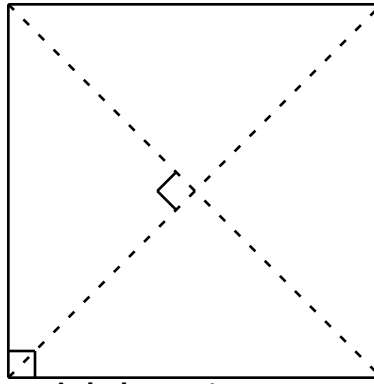
width = 6 m

Area = _____



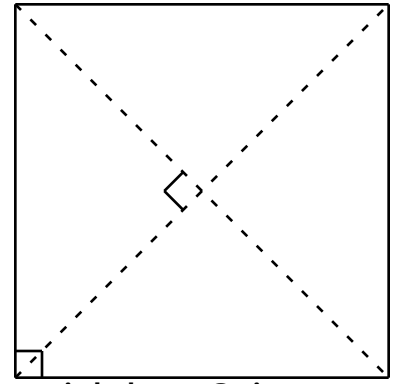
width = 5 cm

Area = 25 cm



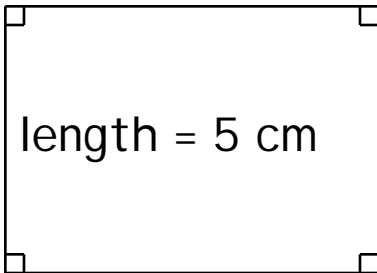
width = 1 m

Area = 1 m



width = 3 in

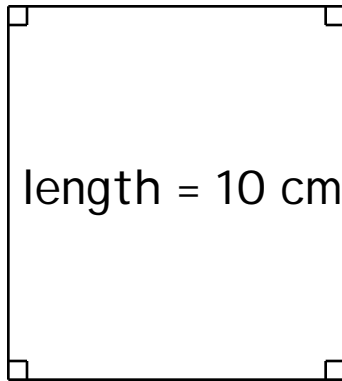
Area = 9 in



length = 5 cm

width = 7 cm

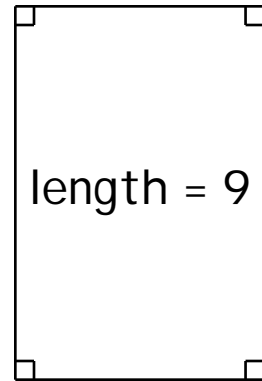
Area = 35 cm



length = 10 cm

width = 9 cm

Area = 90 cm



length = 9 m

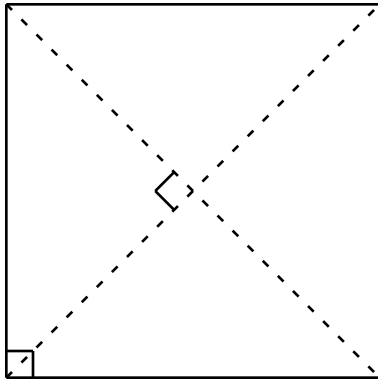
width = 6 m

Area = 54 m

Name: _____ Date: _____

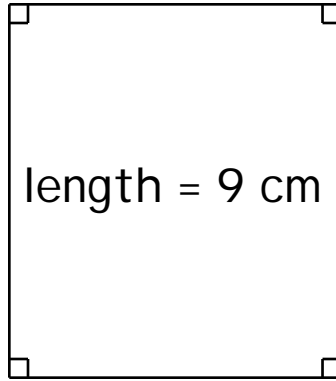
Calculate Area Practice - #2

Calculate the area.



width = 10 m

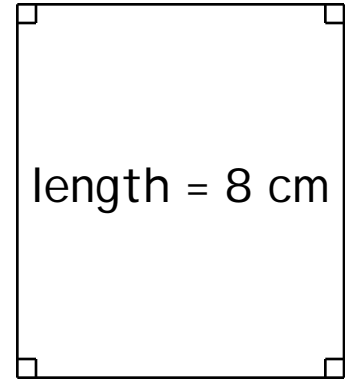
Area = _____



length = 9 cm

width = 8 cm

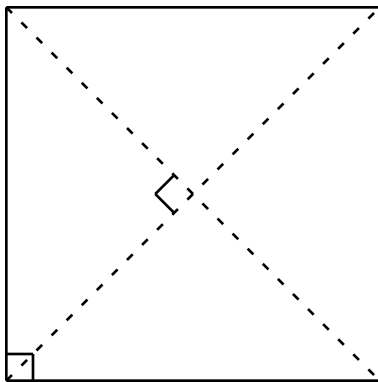
Area = _____



length = 8 cm

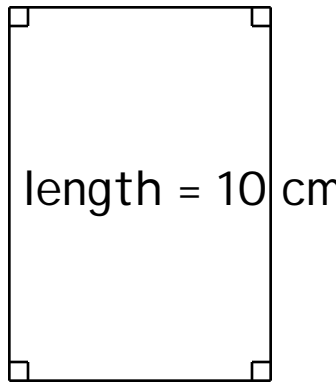
width = 7 cm

Area = _____



width = 2 cm

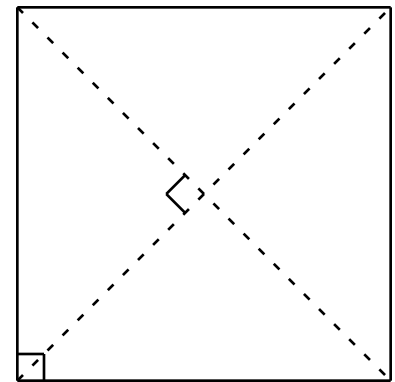
Area = _____



length = 10 cm

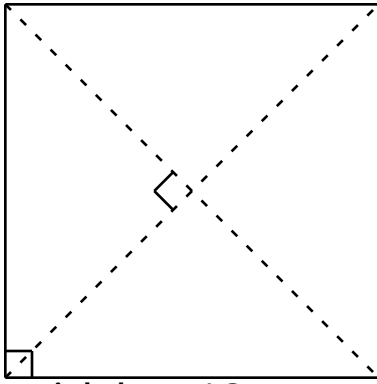
width = 7 cm

Area = _____



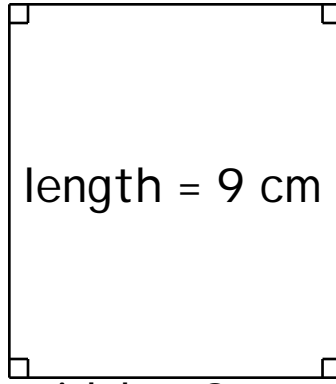
width = 7 in

Area = _____



width = 10 m

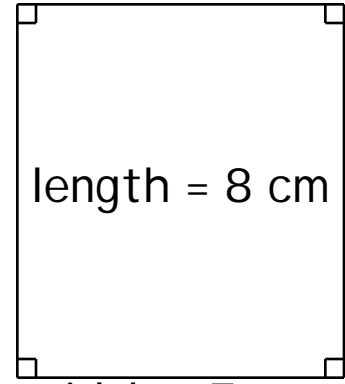
Area = 100 m



length = 9 cm

width = 8 cm

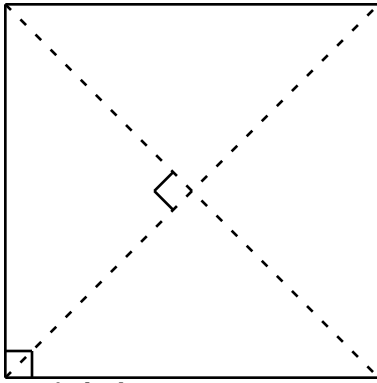
Area = 72 cm



length = 8 cm

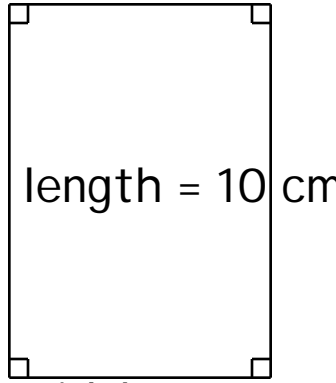
width = 7 cm

Area = 56 cm



width = 2 cm

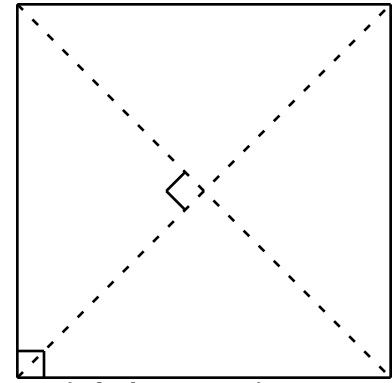
Area = 4 cm



length = 10 cm

width = 7 cm

Area = 70 cm



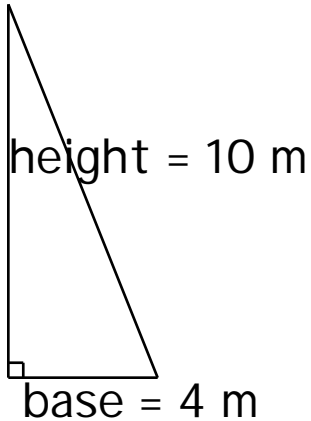
width = 7 in

Area = 49 in

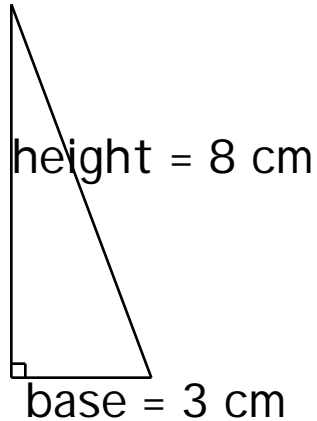
Name: _____ Date: _____

Calculate Area Practice - #3

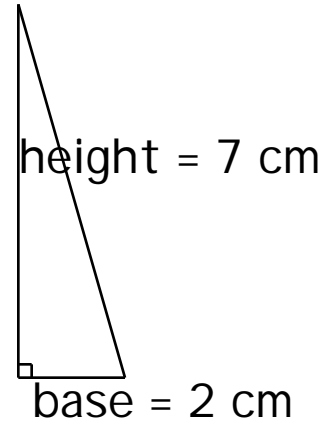
Calculate the area.



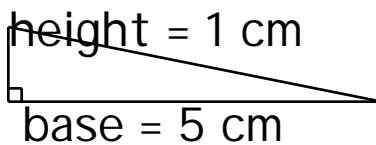
Area = _____



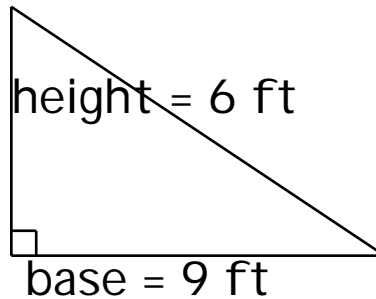
Area = _____



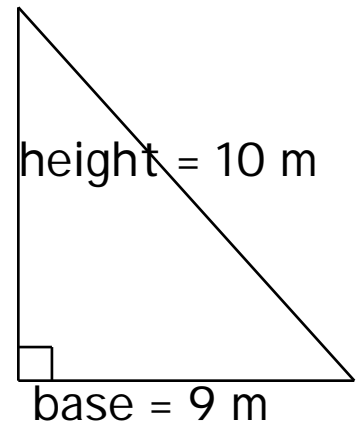
Area = _____



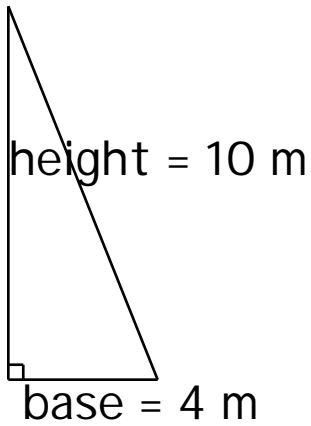
Area = _____



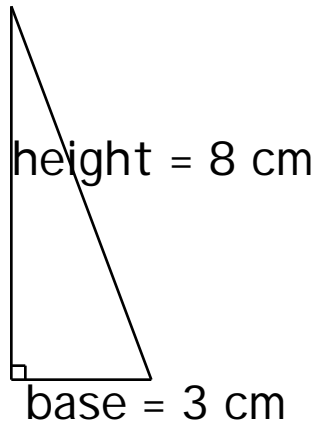
Area = _____



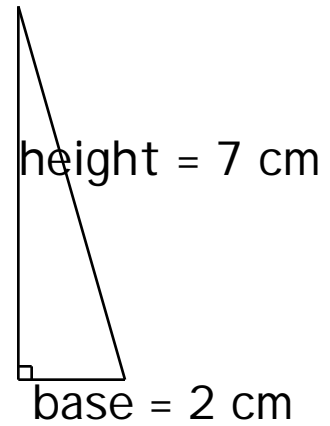
Area = _____



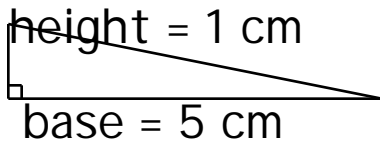
Area = 20 m



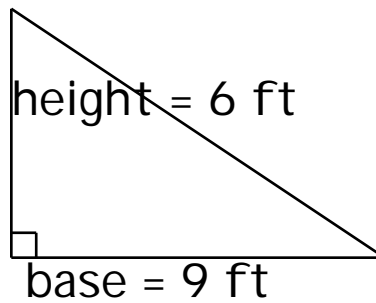
Area = 12 cm



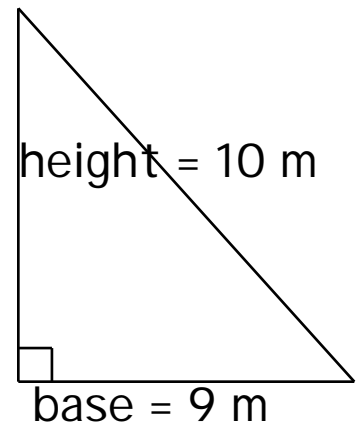
Area = 7 cm



Area = 2.5 cm



Area = 27 ft

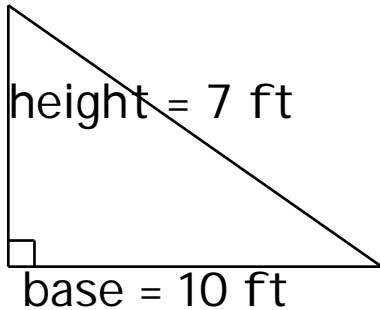


Area = 45 m

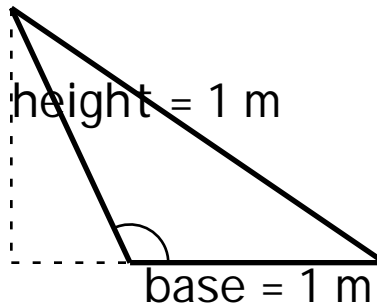
Name: _____ Date: _____

Calculate Area Practice - #4

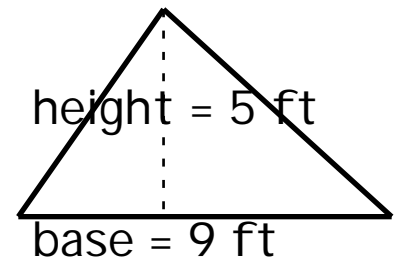
Calculate the area.



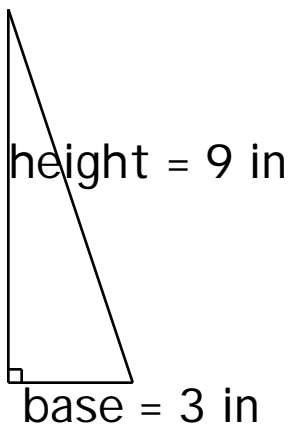
Area = _____



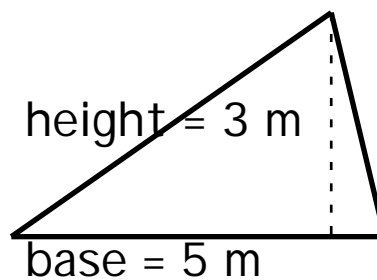
Area = _____



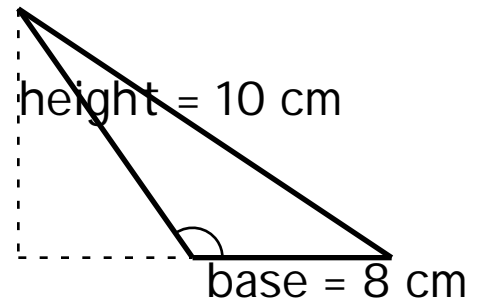
Area = _____



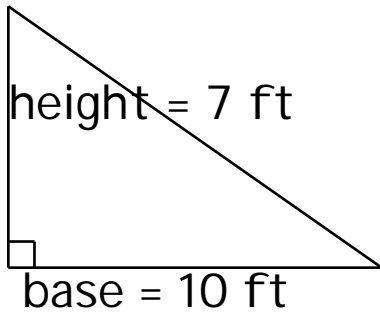
Area = _____



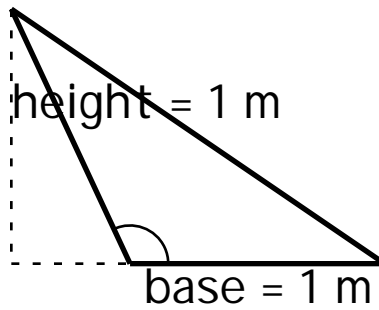
Area = _____



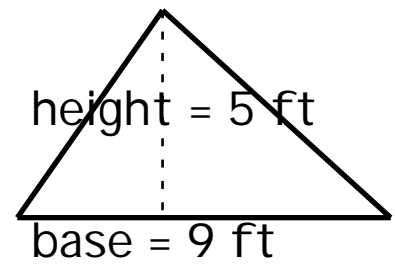
Area = _____



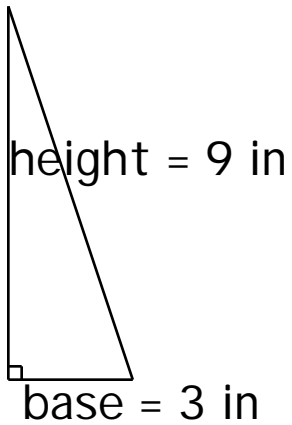
Area = 35 ft



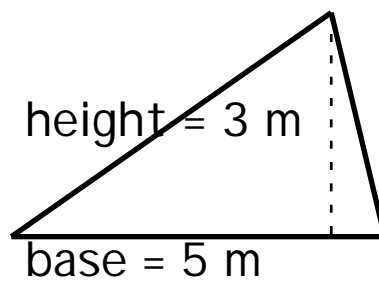
Area = 0.5 m



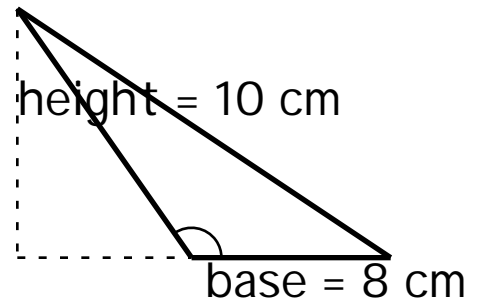
Area = 22.5 ft



Area = 13.5 in



Area = 7.5 m

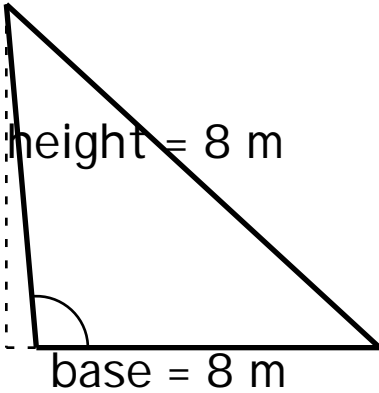


Area = 40 cm

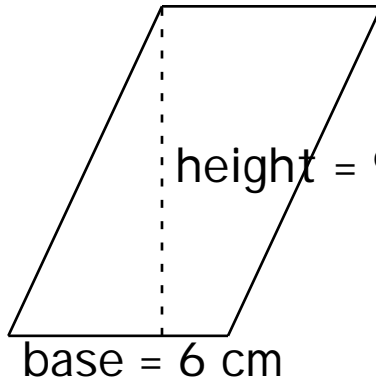
Name: _____ Date: _____

Calculate Area Practice - #5

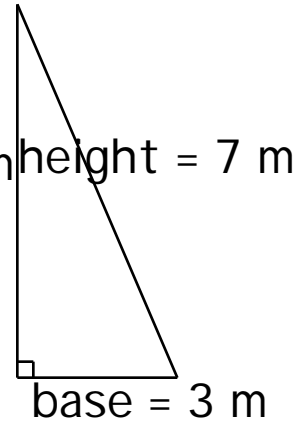
Calculate the area.



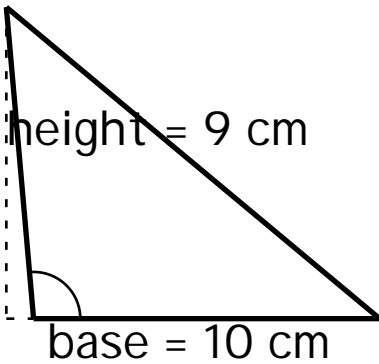
Area = _____



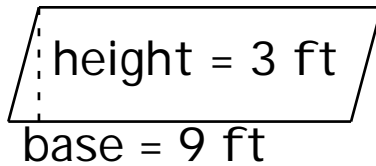
Area = _____



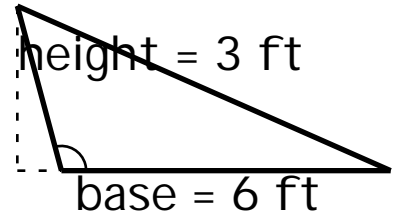
Area = _____



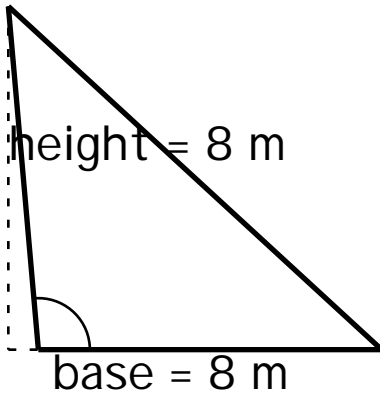
Area = _____



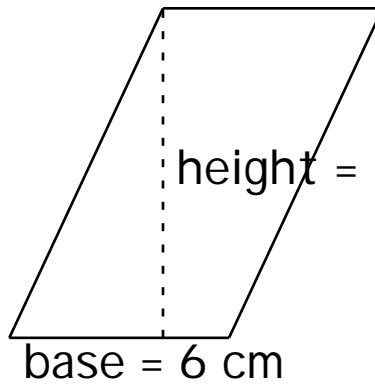
Area = _____



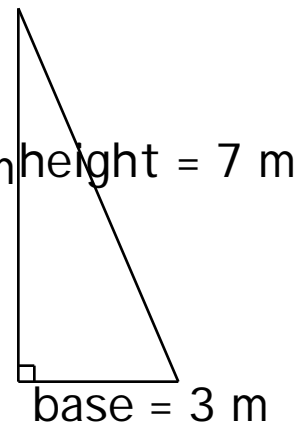
Area = _____



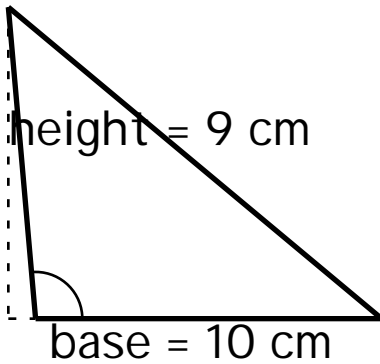
Area = 32 m



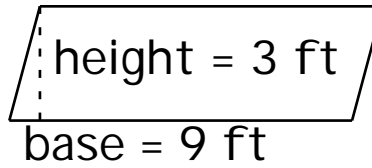
Area = 54 cm



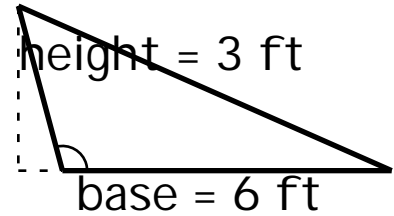
Area = 10.5 m



Area = 45 cm



Area = 27 ft

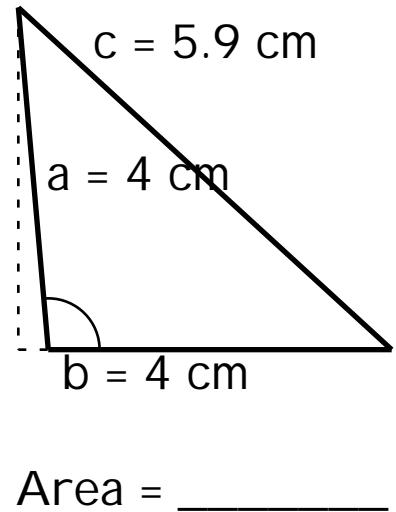
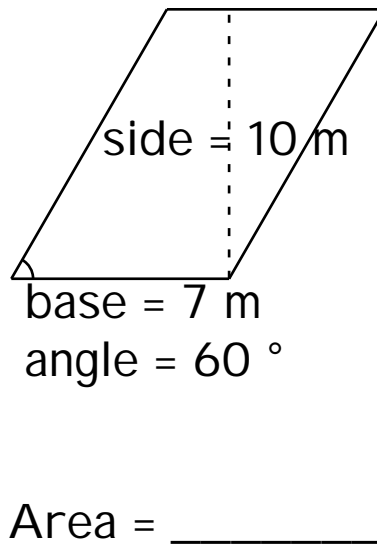
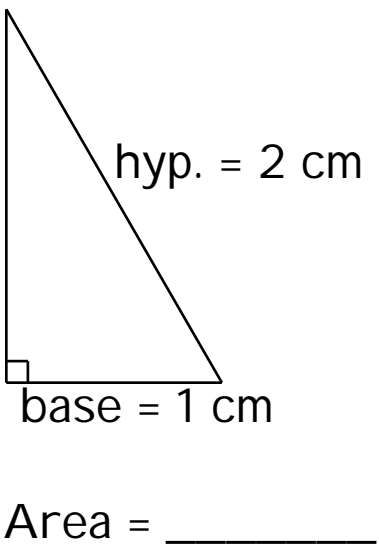
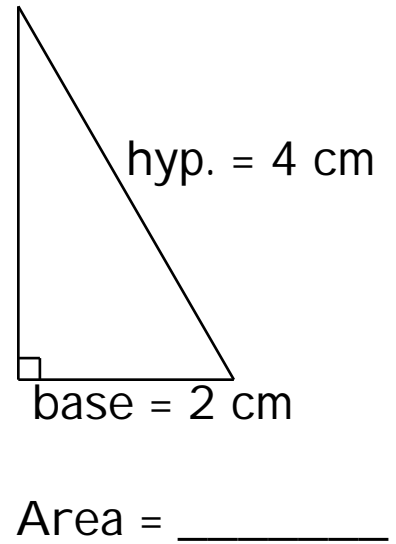
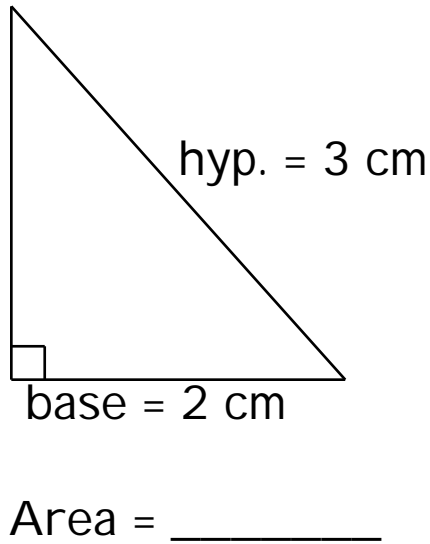
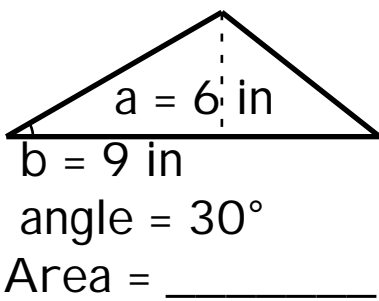


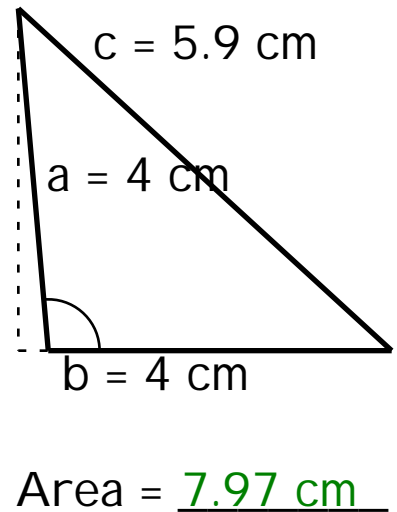
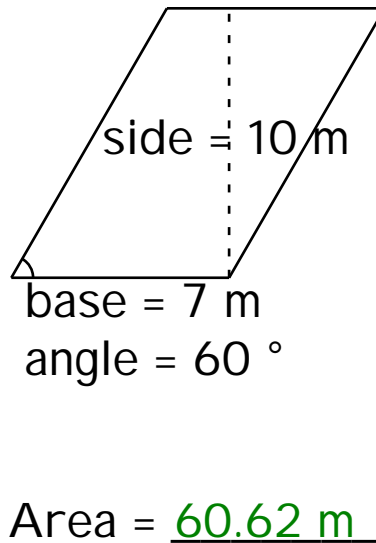
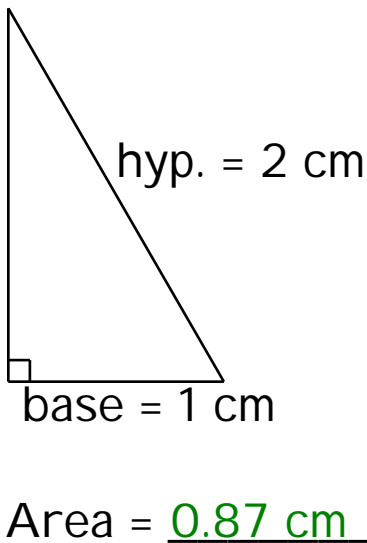
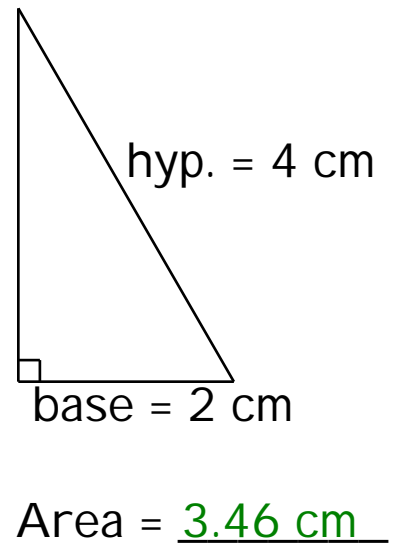
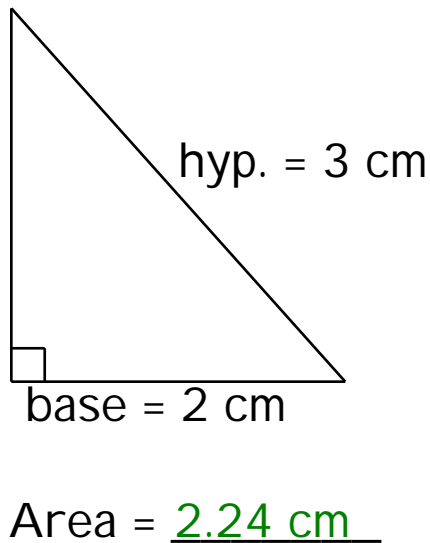
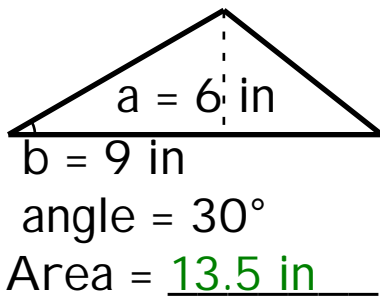
Area = 9 ft

Name: _____ Date: _____

Calculate Area Practice - #6

Calculate the area.

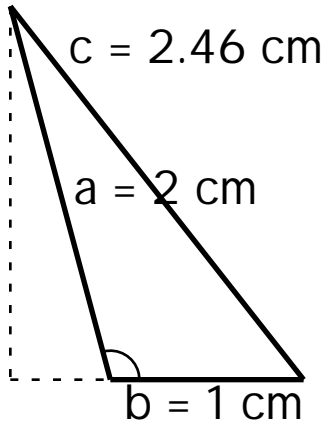




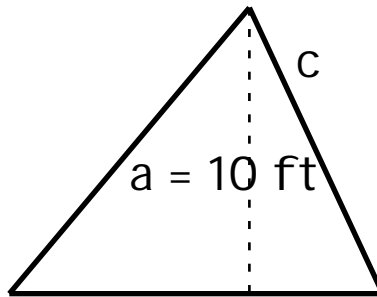
Name: _____ Date: _____

Calculate Area Practice - #7

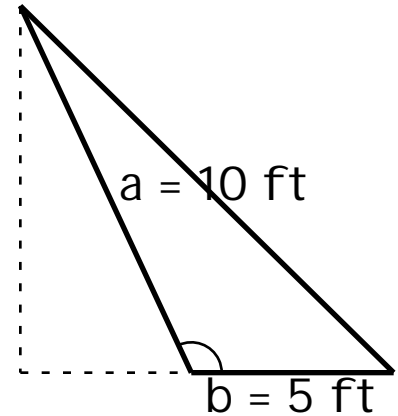
Calculate the area.



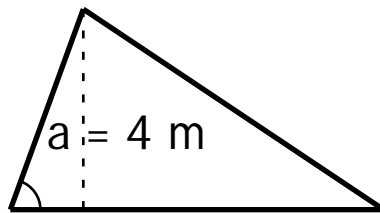
Area = _____



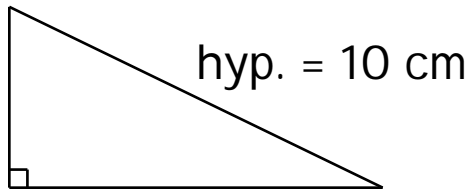
Area = _____



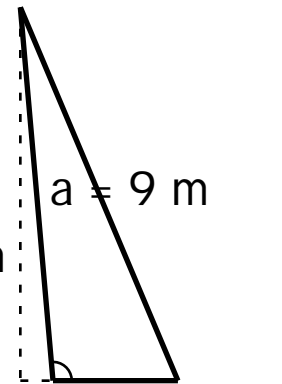
Area = _____



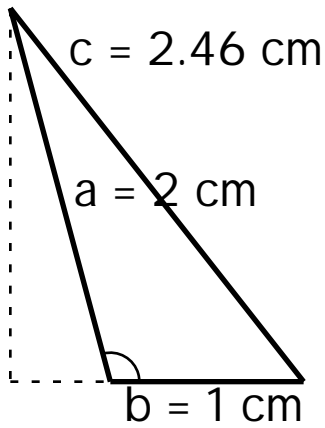
Area = _____



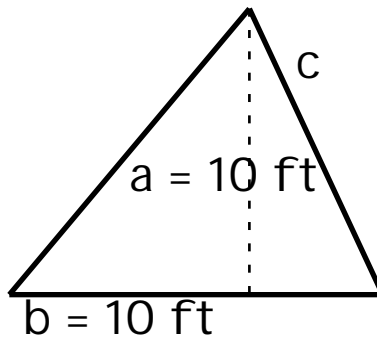
Area = _____



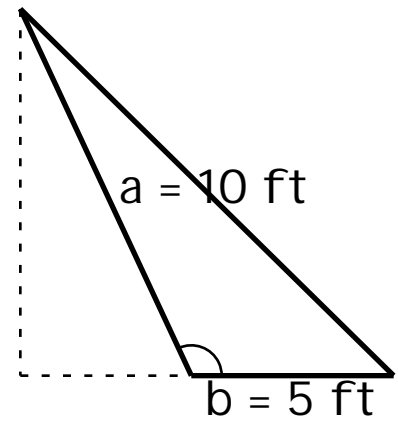
Area = _____



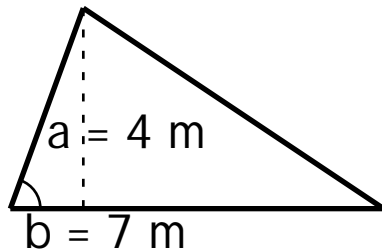
Area = 0.97 cm



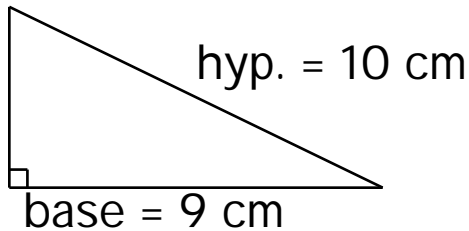
Area = 38.3 ft



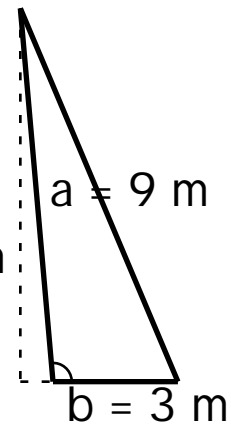
Area = 22.66 ft



angle = 70°
 Area = 13.16 m



Area = 19.62 cm

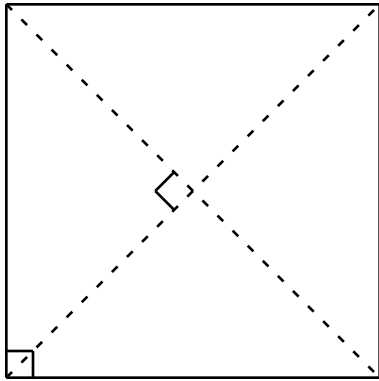


Area = 13.45 m

Name: _____ Date: _____

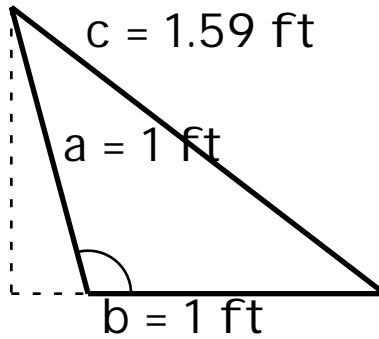
Calculate Area Practice - #8

Calculate the area.

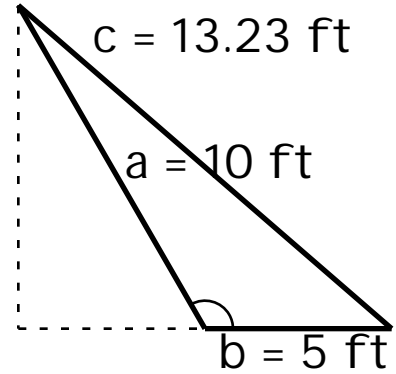


diagonal = 7 cm

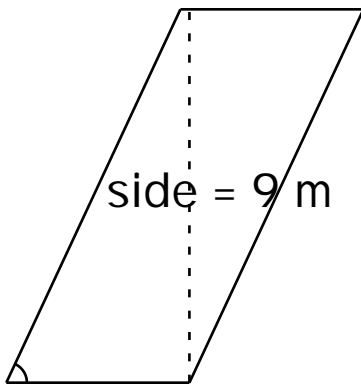
Area = _____



Area = _____



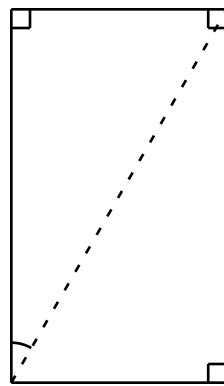
Area = _____



base = 4 m

angle = 65°

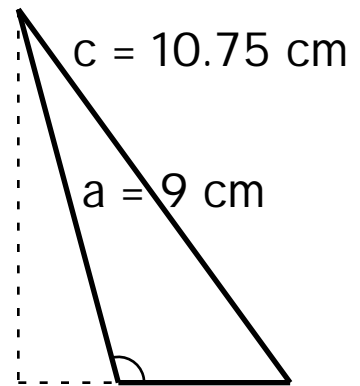
Area = _____



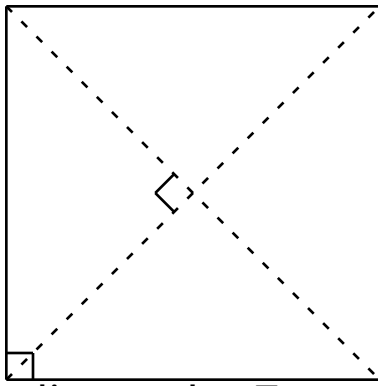
diagonal = 6 in

angle = 30°

Area = _____

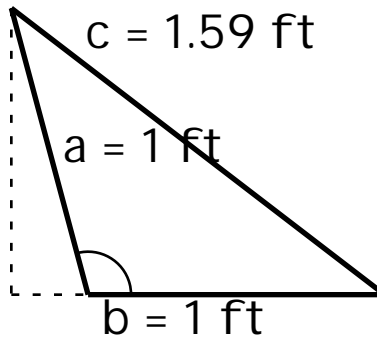


Area = _____

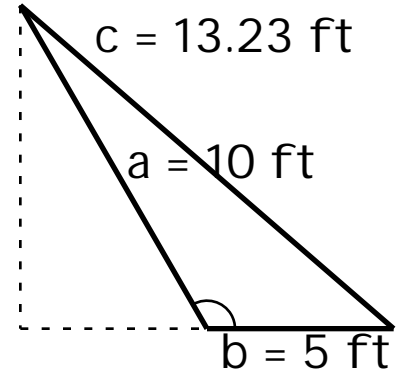


diagonal = 7 cm

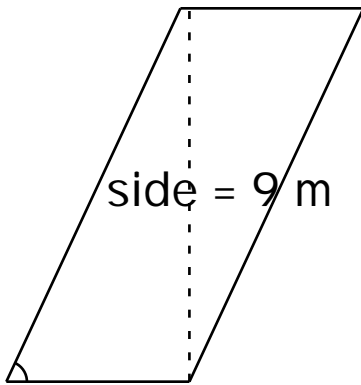
Area = 24.5 cm



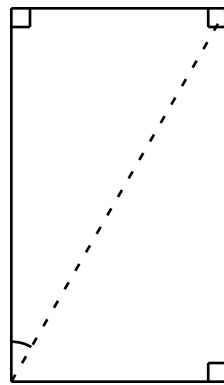
Area = 0.48 ft



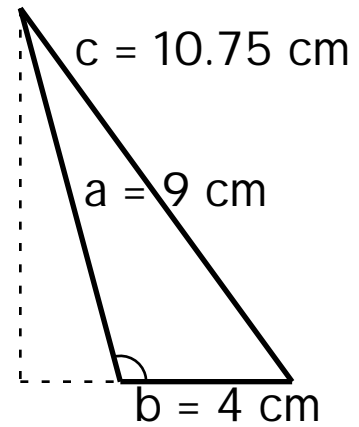
Area = 21.65 ft



angle = 65°
Area = 32.63 m



diagonal = 6 in
angle = 30°
Area = 15.59 in

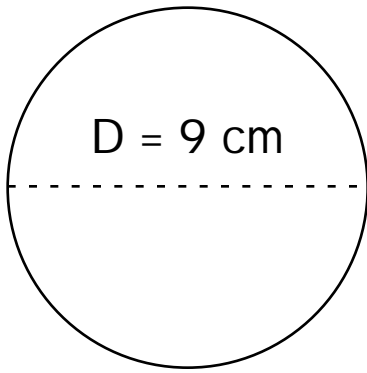


Area = 17.39 cm

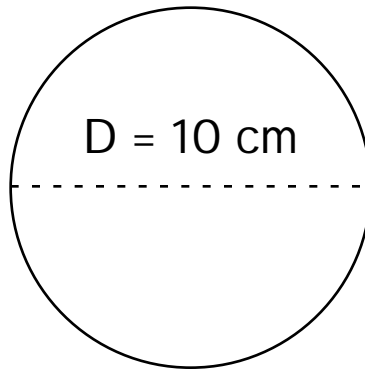
Name: _____ Date: _____

Calculate Area Practice - #9

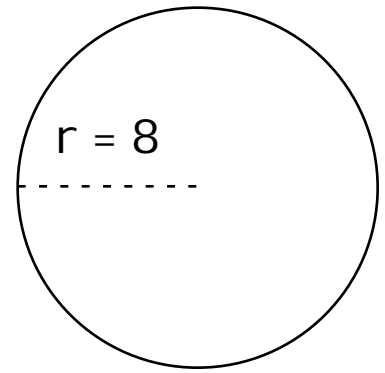
Calculate the area.



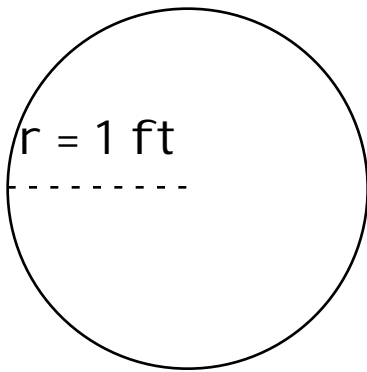
Area = _____



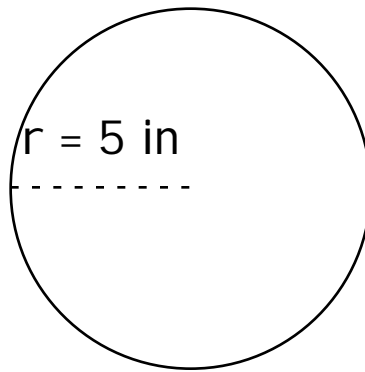
Area = _____



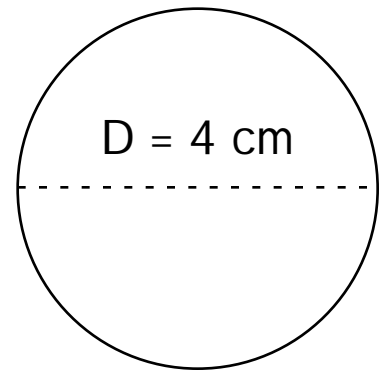
Area = _____



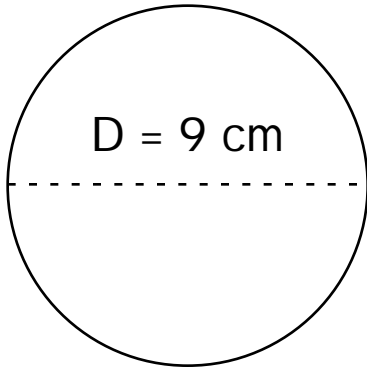
Area = _____



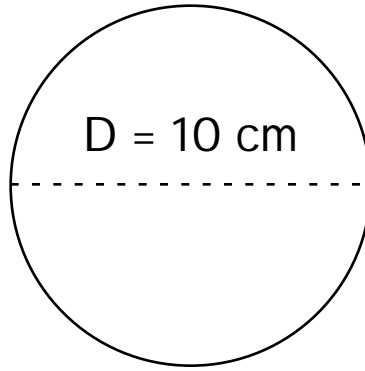
Area = _____



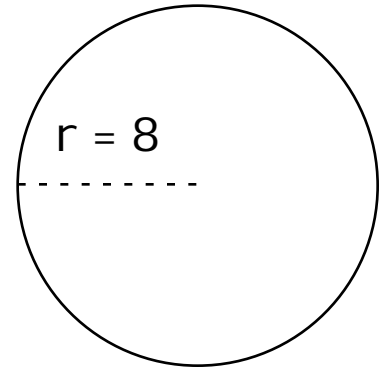
Area = _____



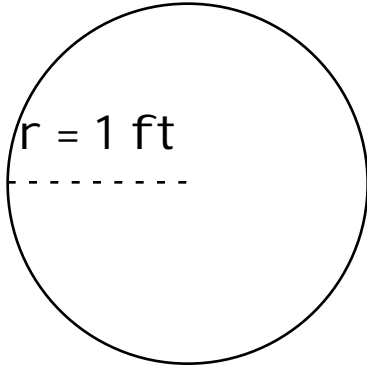
Area = 63.62 cm



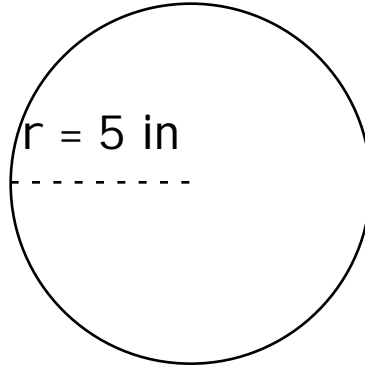
Area = 78.54 cm



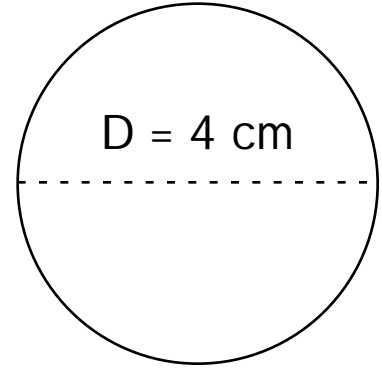
Area = 201.06



Area = 3.14 ft



Area = 78.54 in

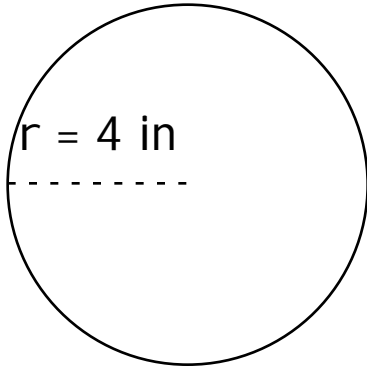


Area = 12.57 cm

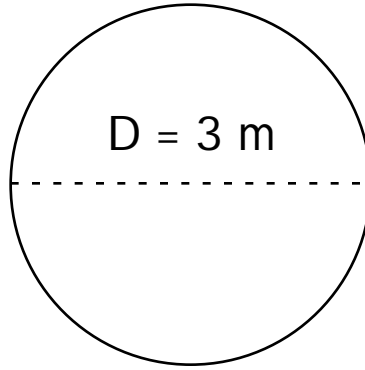
Name: _____ Date: _____

Calculate Area Practice - #10

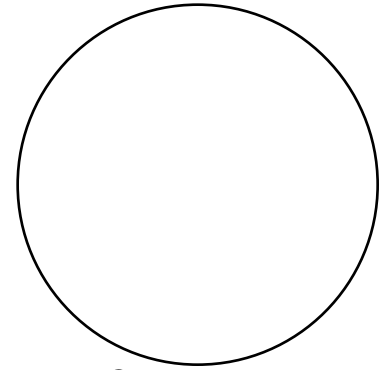
Calculate the area.



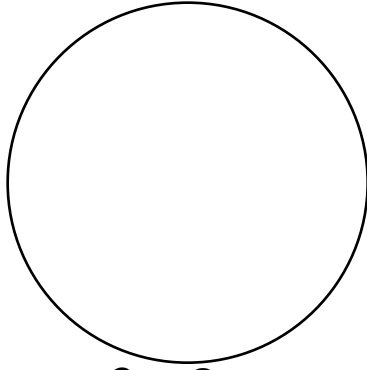
Area = _____



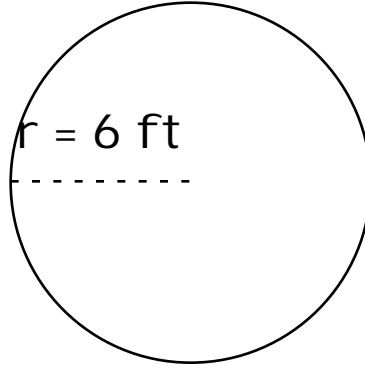
Area = _____



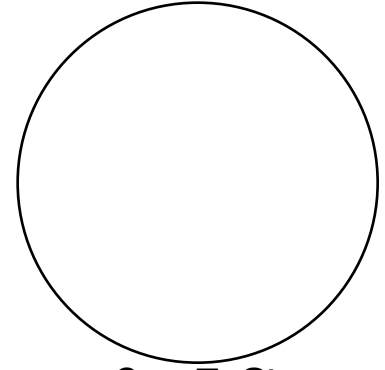
Area = _____



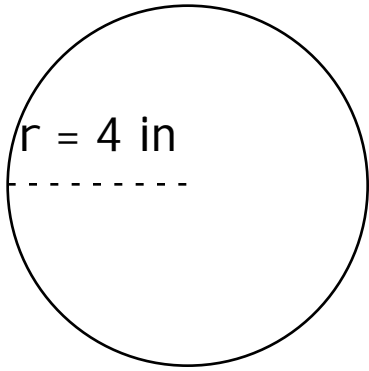
Area = _____



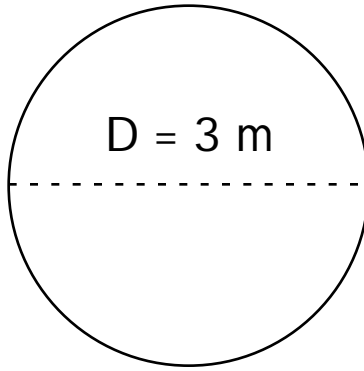
Area = _____



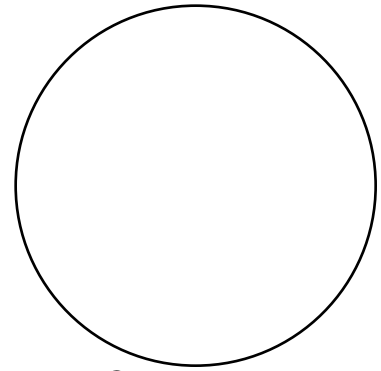
Area = _____



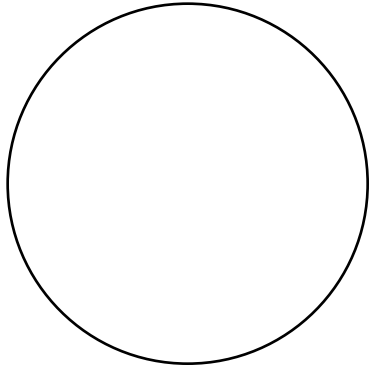
Area = 50.27 in



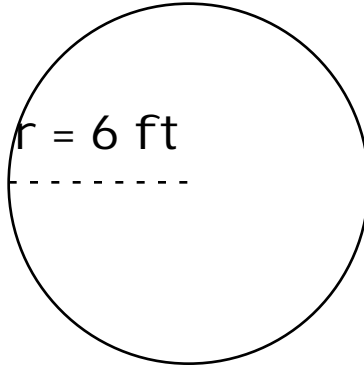
Area = 7.07 m



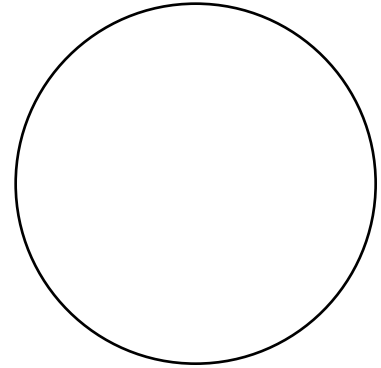
Area = 0.32 cm



Area = 5.09 m



Area = 113.1 ft



Area = 3.9 ft